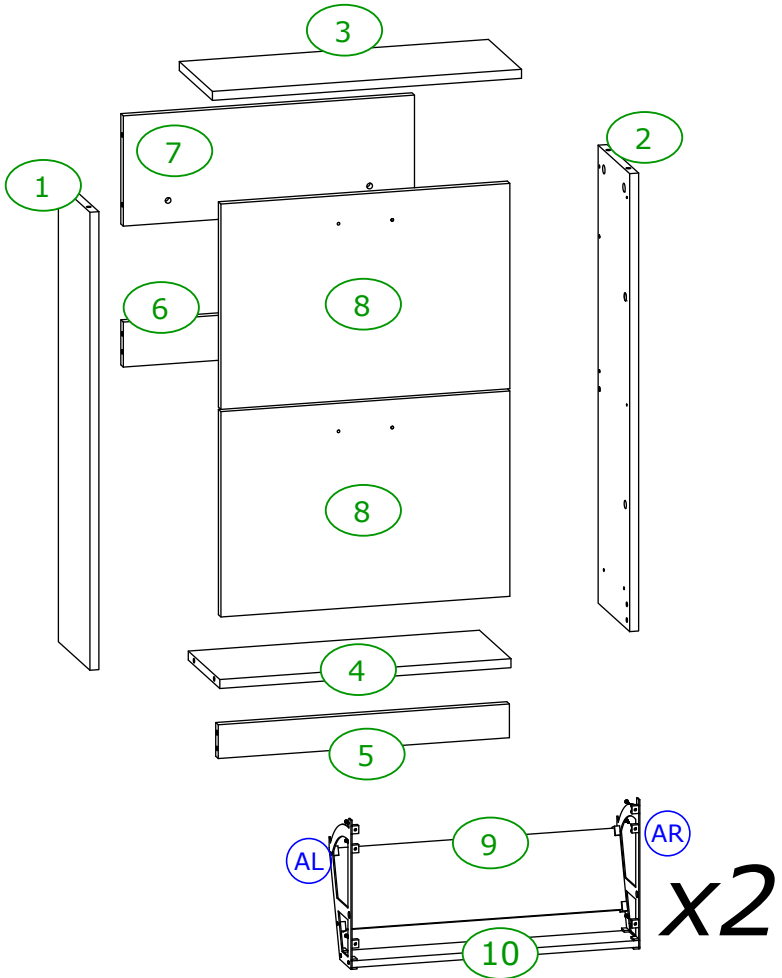
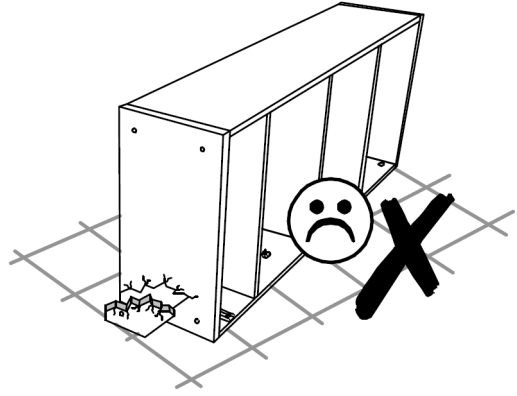
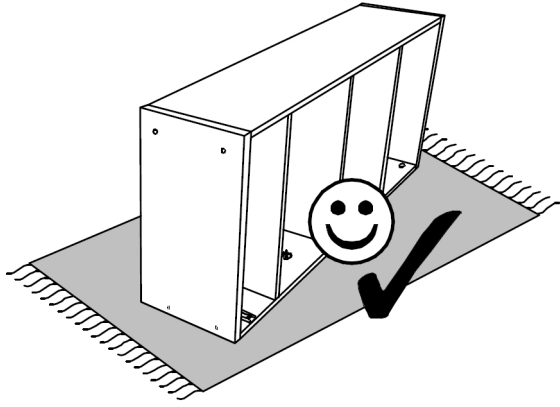


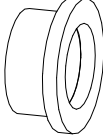
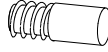
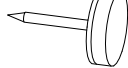
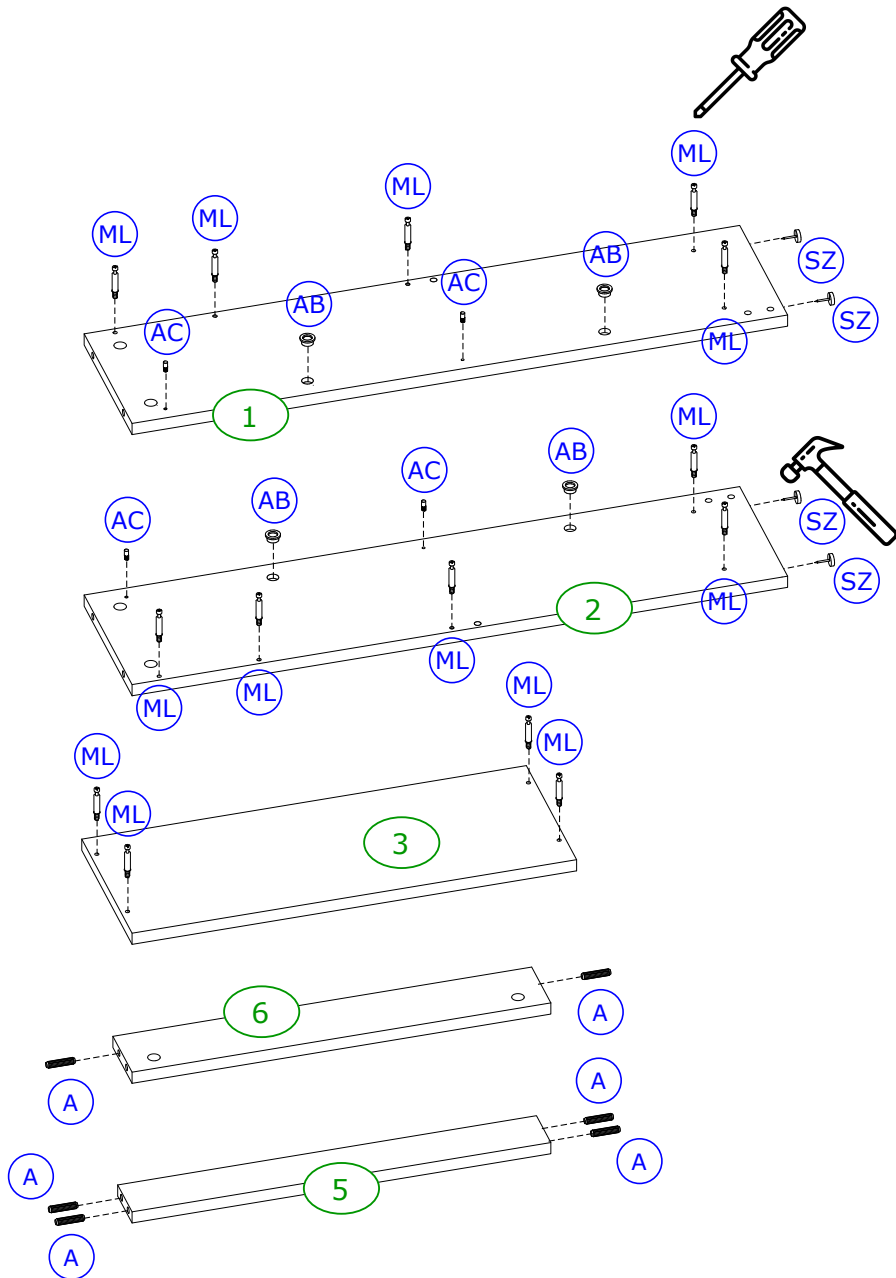


ML	14 x	M1	14 x
A	6 x	L	4 x
	8 x 35		4 x 30
X	12 x	J	16 x
	3,5 x 16		3 x 12
AB	4 x	AC	4 x
AD	4 x	AE	4 x
AL	2 x	AR	2 x
XL	2 x	UN	2 x
	8 x 60		
MZ	4 x	SZ	4 x



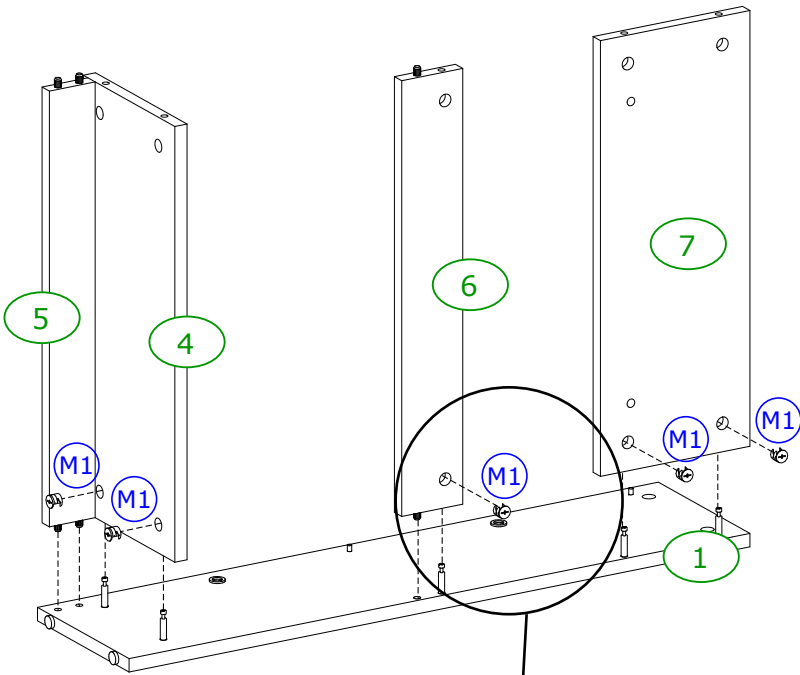


ML	14 x	A	6 x	AB	4 x	AC	4 x	SZ	4 x
			8 x 35						



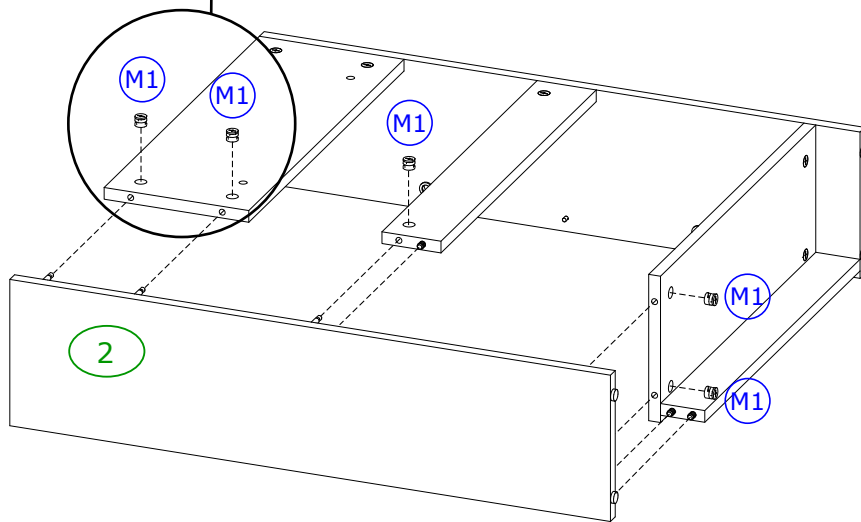
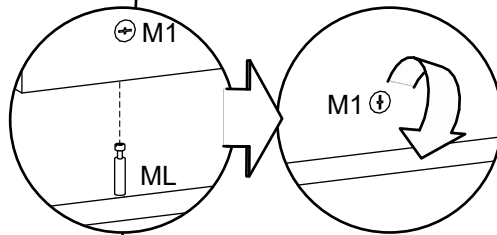
1

M1 5 x



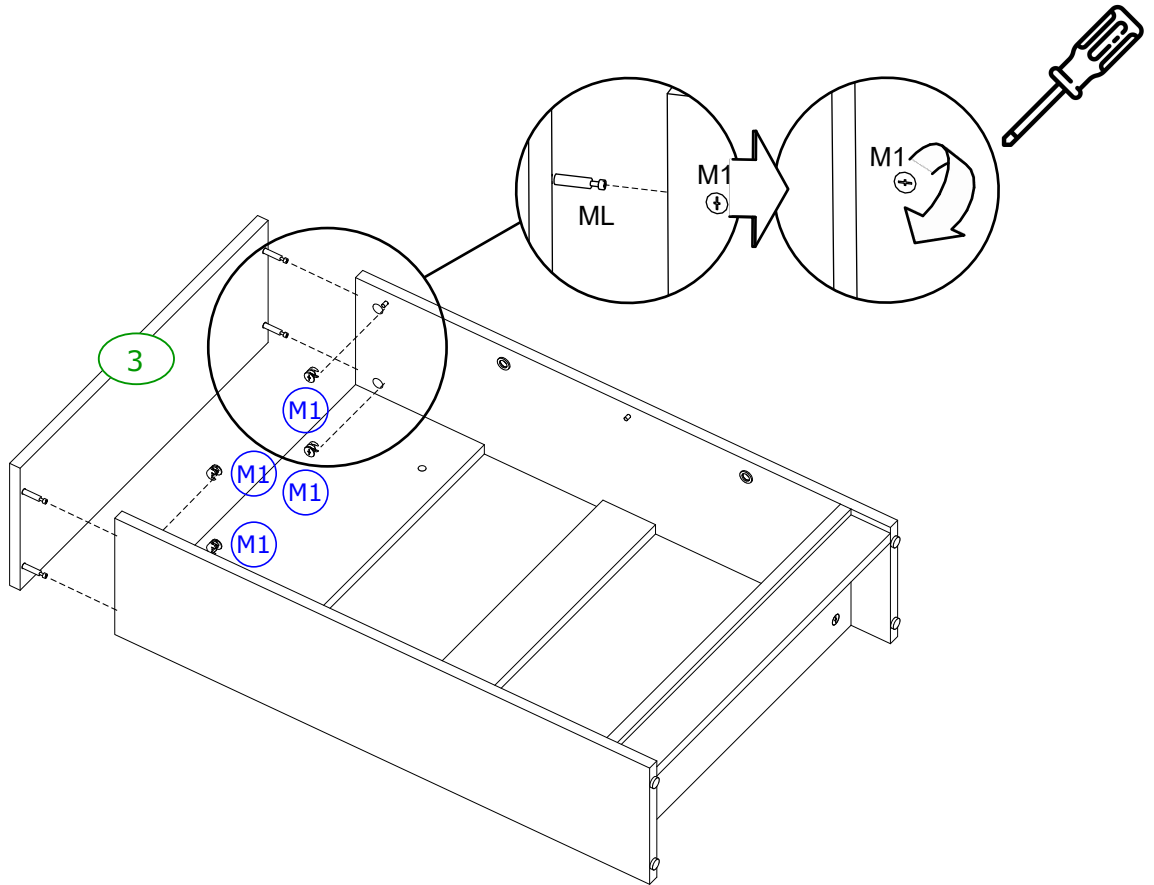
2

M1 5 x



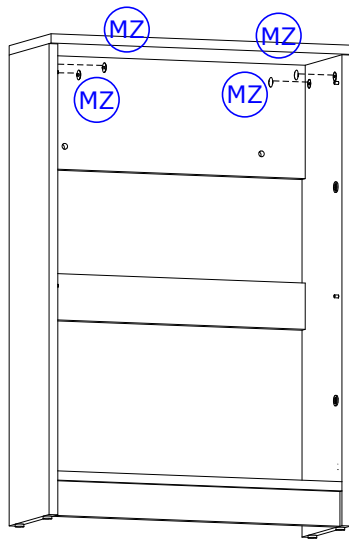
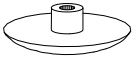
3

M1 4 x

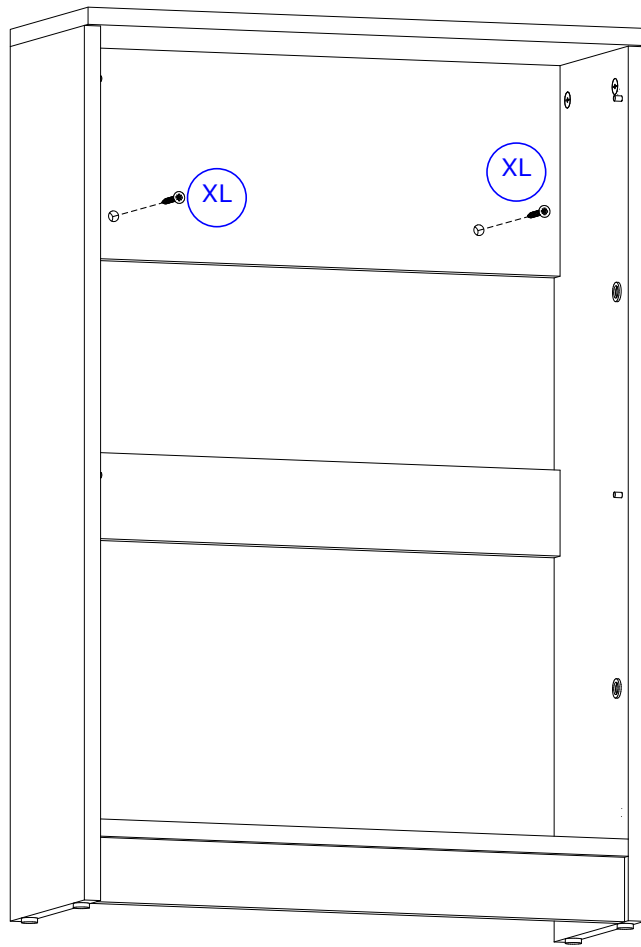
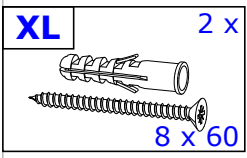


4

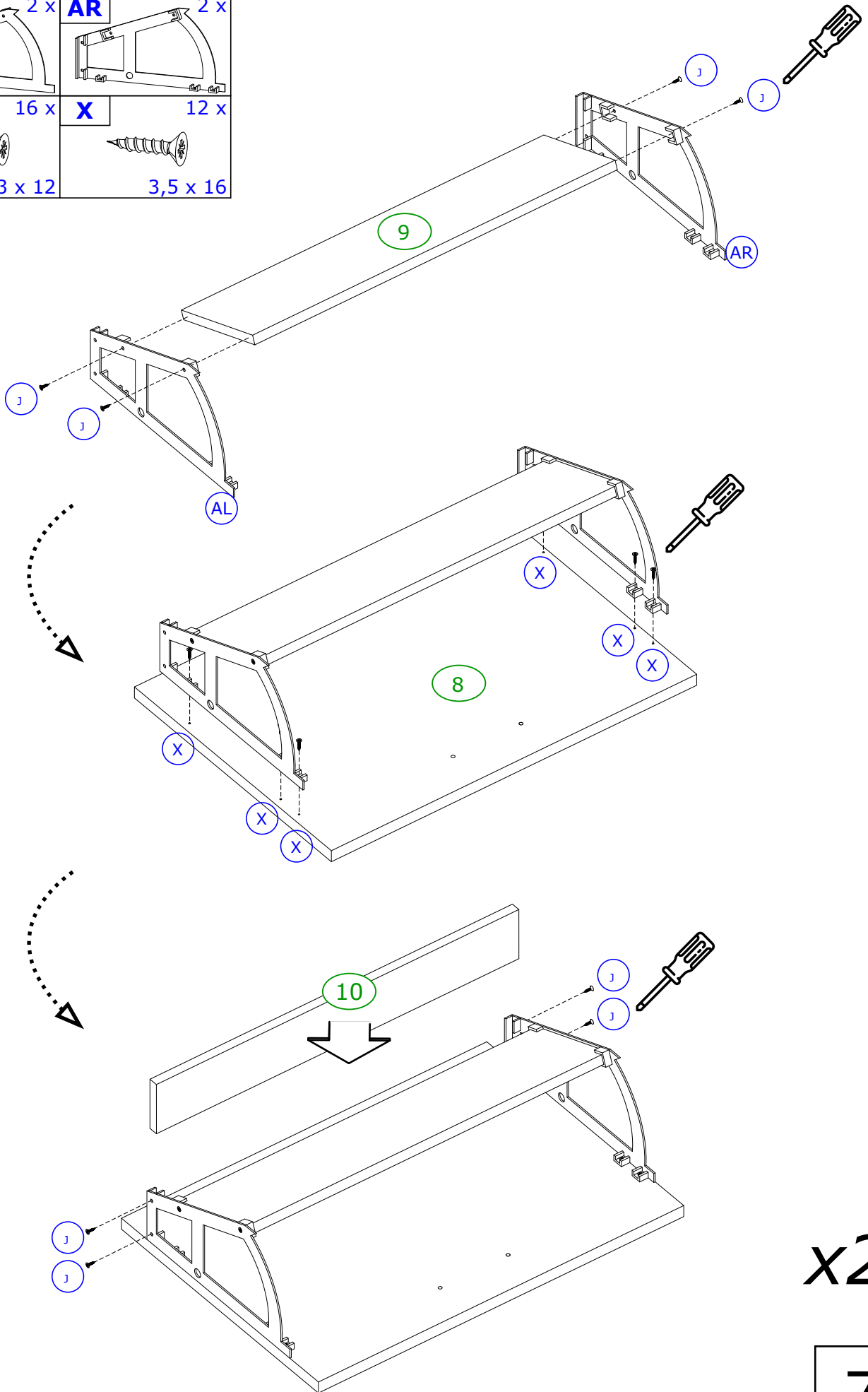
MZ 4 x



5

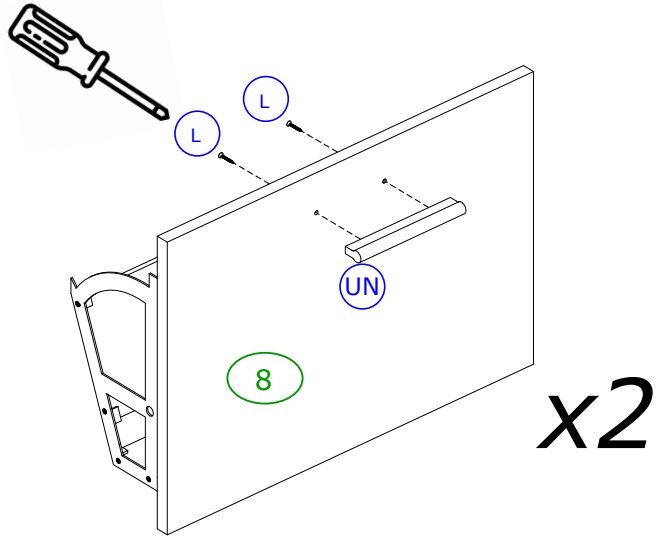
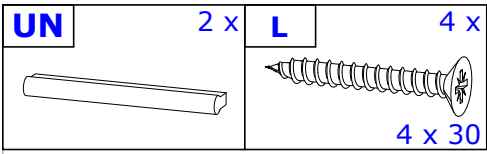


AL	2 x	AR	2 x
J	16 x	X	12 x
	3 x 12		3,5 x 16

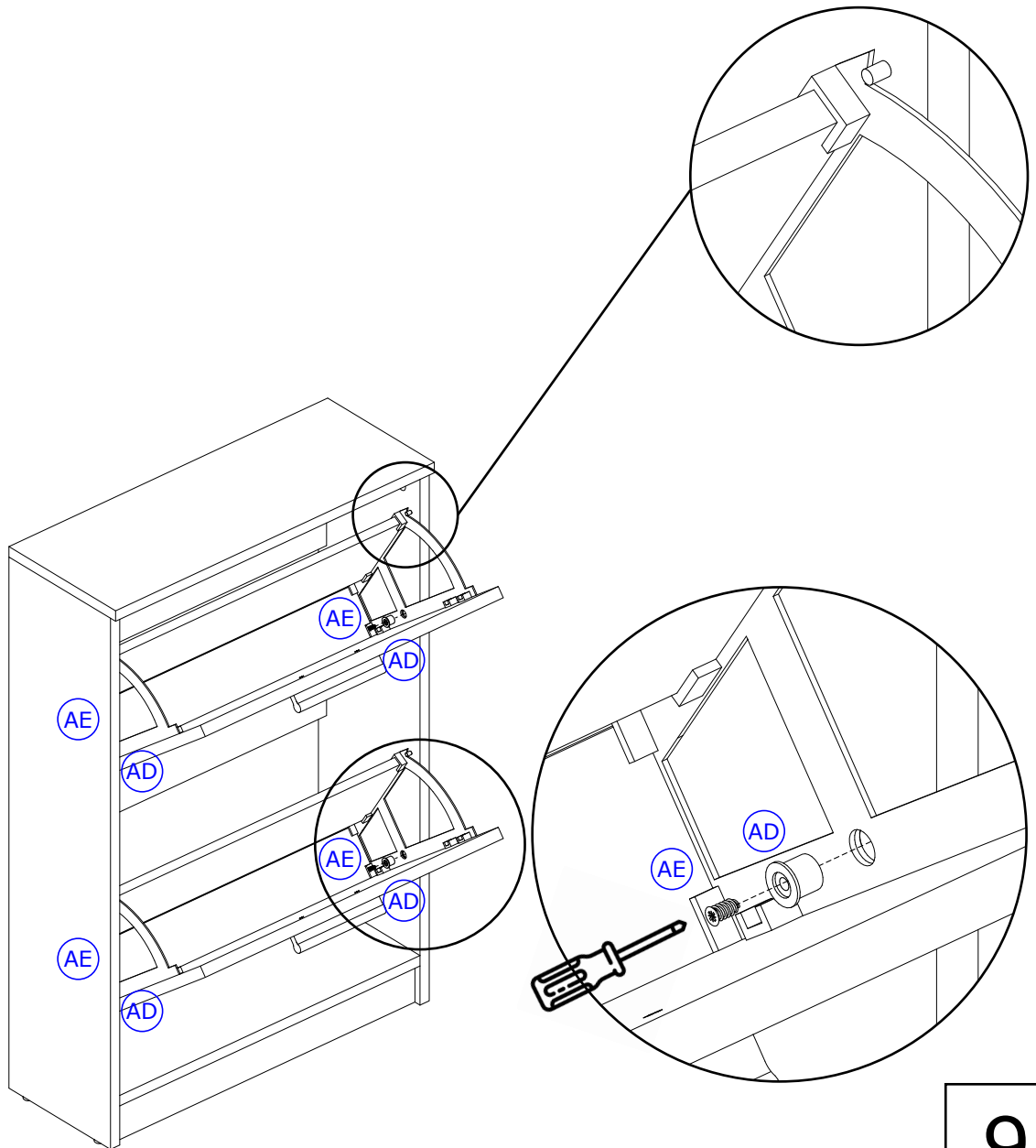
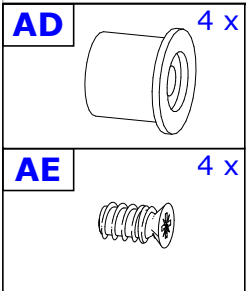


x2

7



8



9